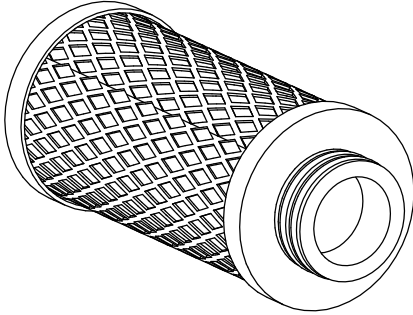
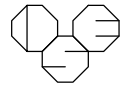
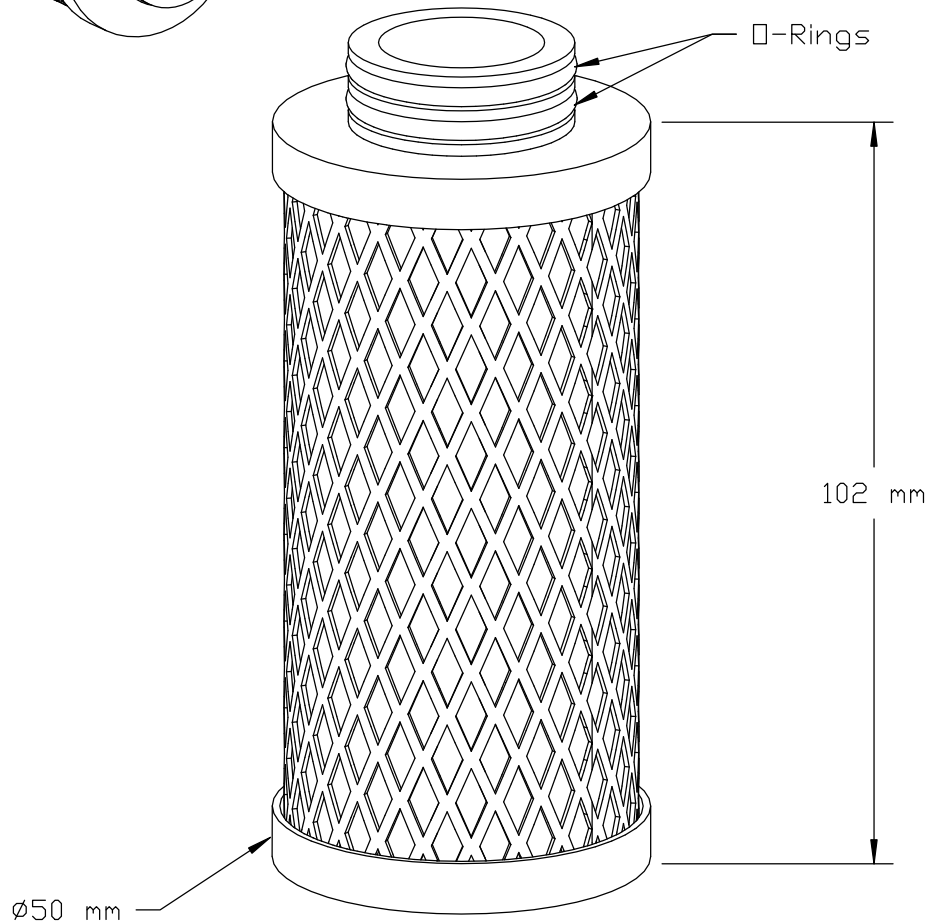


QTY.	PRODUCT	NEXT ASSY. DWG.	NO.	DESCRIPTION OF CHANGE	SCO#	DATE	BY
			0	NEW ISSUE		11/1/11	DSE
			1				
			2				
			3				
			4				

NO. 1C125824  
 SUPS.DS.



Ultrac AK 04/20 Silicon Free Activated Carbon Absorption



ITEM#	QTY	PART NUMBER	DESCRIPTION
TOLERANCES UNLESS OTHERWISE SPECIFIED FRACTIONS ±1/64      DECIMALS .X ±.1    .XXX ±.005 ANGLES ±1/2°        .XX ±.01    .XXXX ±.005			THIS DOCUMENT IS THE PROPERTY OF RICHARDSON ELECTRONICS, LTD. AND SHALL NOT BE COPIED, REPRODUCED, USED IN THE MANUFACTURE OR SALE OF APPARATUS OR DISCLOSED TO OTHERS WITHOUT PERMISSION.
DO NOT SCALE DRAWING			Richardson Electronics, Ltd.
DRAWN ENG. MGR. ENG. MGR. MAT'L	DSE	SCALE    NTS ENG. CHKD. PRDN. APPD.	<b>Donaldson Air Filter</b> <b>Replaces Trumpf® Models</b> <b>0123676 &amp; 0377004</b>
MAT'L. SPEC. NO. FINISH    —	PRODD.	NO. 1C125824	CHANGE —